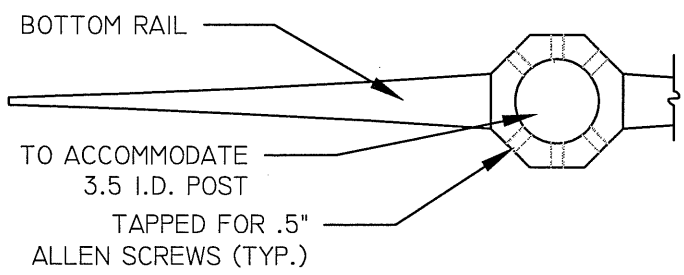
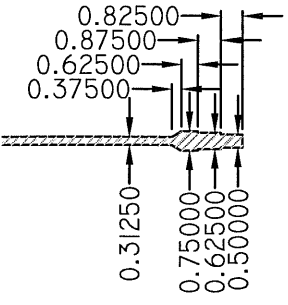


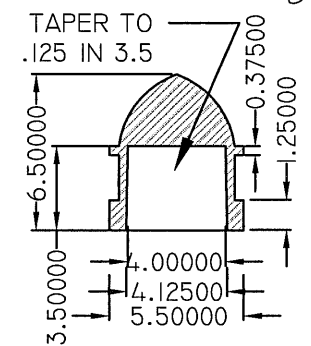
FRONT VIEW

SCALE: 1.5" = 1.0'



BOTTOM VIEW

SCALE: 1.5" = 1.0'



CAP SECTION

SCALE: 1.5" = 1.0'

SECTION A-A

SCALE: NOT TO SCALE

NOTE:

THE SIZE OF THE KEYSTONE AND BARS WILL VARY ACCORDING TO THE SPACE AVAILABLE BETWEEN THE MARKER TITLE AND THE TEXT.

THE SPACES BETWEEN THE KEYSTONE AND BARS WILL BE DETERMINED BY RESULTING PROPORTION VARYING BETWEEN .25" AND .50".

COMMONWEALTH OF PENNSYLVANIA
HARRISBURG, PENNSYLVANIA

PENNSYLVANIA HISTORICAL MARKER
ROADSIDE MARKER

ALL DIMENSIONS IN INCHES

SHEET NO.

1 of 3